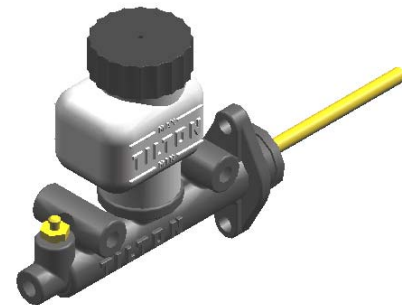
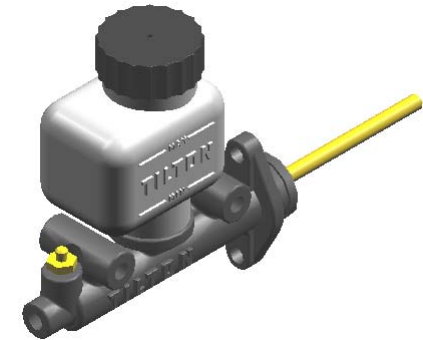
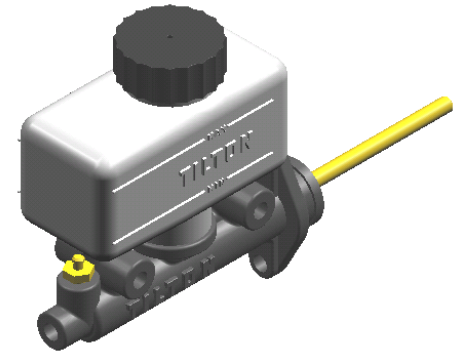
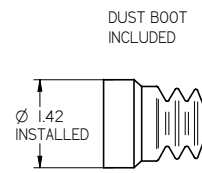
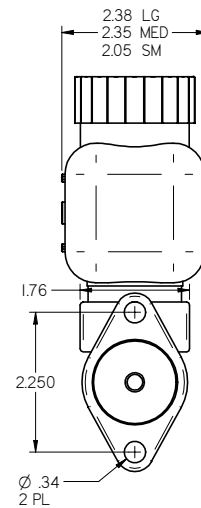
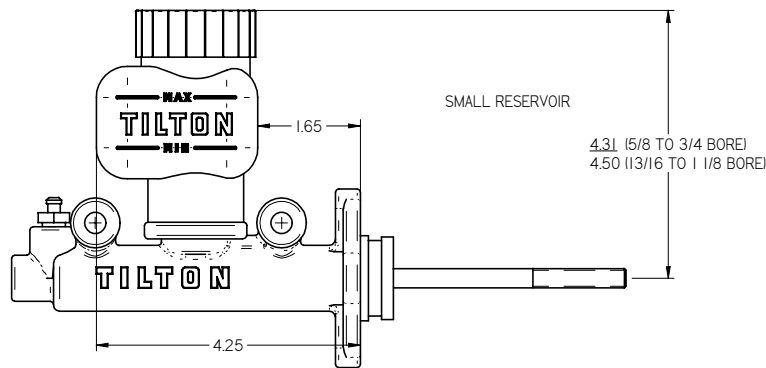
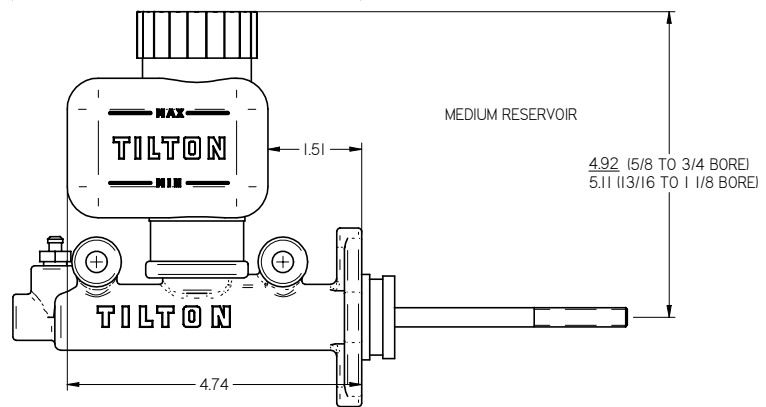
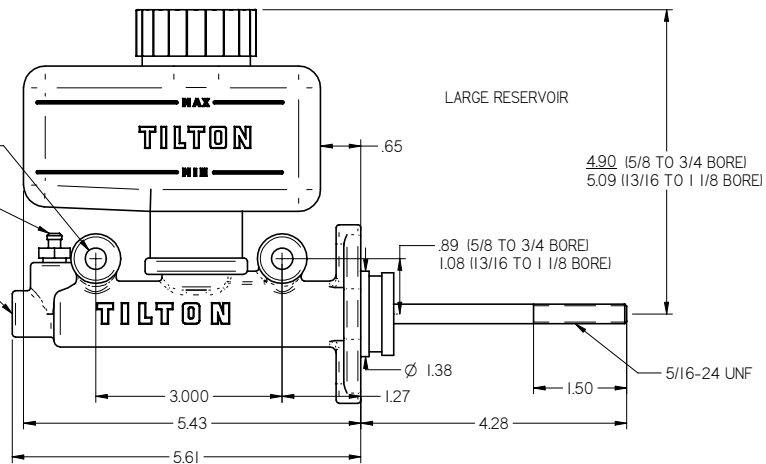


ZONE	CHKD	DATE	REV	ECN	CHANGE OR ADDITION
------	------	------	-----	-----	--------------------



NOTES:
 1. UNLESS SPECIFIED OTHERWISE DIMENSIONS ARE IN INCHES
 2. DIMENSIONS ARE NOMINAL

TILTON ENGINEERING, INC. (805)688-2353 FAX (805)688-2745
 25 EASY STREET P.O. BOX 1787 BUELLTON, CALIFORNIA 93427 USA

TITLE: 74 SERIES MASTER CYLINDER WITH SMALL MEDIUM AND LARGE RESERVOIRS

DRN BY ROBINSON	CHKD	SCALE 1:1	DWG
P/N 74-XXX	DATE 06/27/02	SHEET 1 OF 1	DWG#

This document contains proprietary information of TILTON ENGINEERING, INC., and its receipt or possession does not convey the rights to reproduce, disclose its contents, or to manufacture, use or sell anything it may describe. Reproduction, disclosure, or use without specific written authorization of TILTON ENGINEERING, INC. is strictly forbidden.

TILTON ENGINEERING
INC.